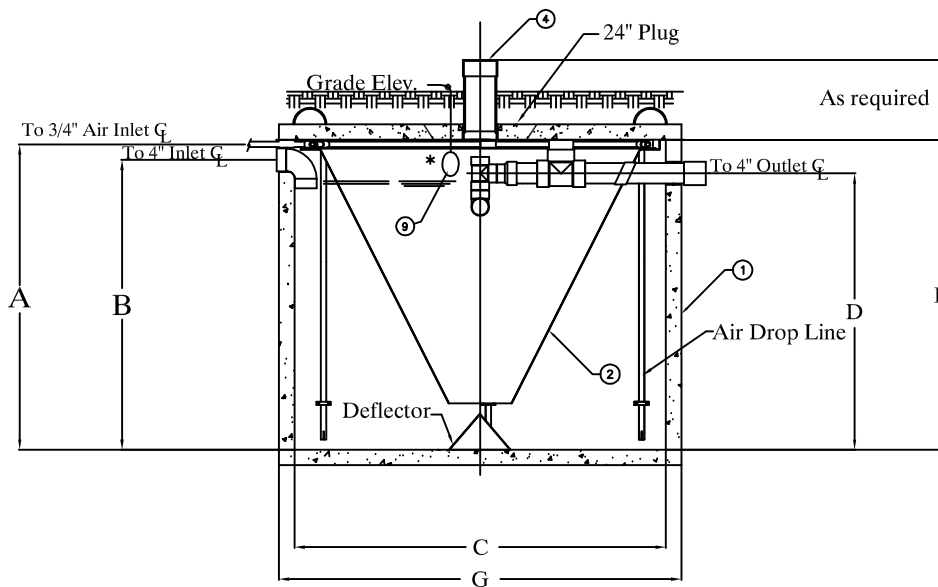


Plan View
(with cover removed)

ATU Model	DF50-CA	DF-60-CA
A	73"	80"
B	58"	65-1/2"
C	69"	72"
D	56"	63-1/2"
E	70"	77-1/4"
F	24" - 96"	24" - 96"
G	79"	82"
Capacity	500 GPD	600 GPD
BOD	1.25 lbs	1.5 lbs
Approx Weight	9,080	10,210



Section A-A

NOT TO SCALE

Lake Shore Burial Vault Co., Inc
12780 W. Lisbon Road
Brookfield, WI 53005
Phone: 262.781.6262 **Fax:** 262.781.6280
www.lsburialvaults.com

General Notes:

This drawing is the property of Lake Shore Burial Vault Company and shall not be copied or submitted without the consent of this company. All vertical measurements are accurate within +/- 1" on the tank.

Model: Model DFXX-CA, Aerobic Treatment Units, Concrete Tank

Drawn By: MR **Date:** 2/22/10 **Approx Weight:** See Chart

Capacity: See Chart **Dwg. No.:** 24.00605.00DF
GPI: See Chart